



|          |  |      |  |     |           |  |
|----------|--|------|--|-----|-----------|--|
| PROJECT  |  | REF  |  | REV | ITEM CODE |  |
| LOCATION |  | DATE |  |     | PAGE      |  |

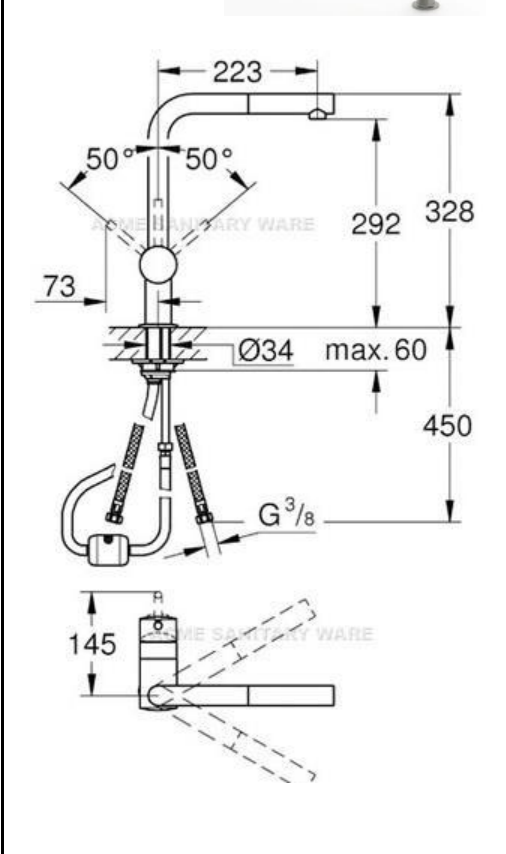
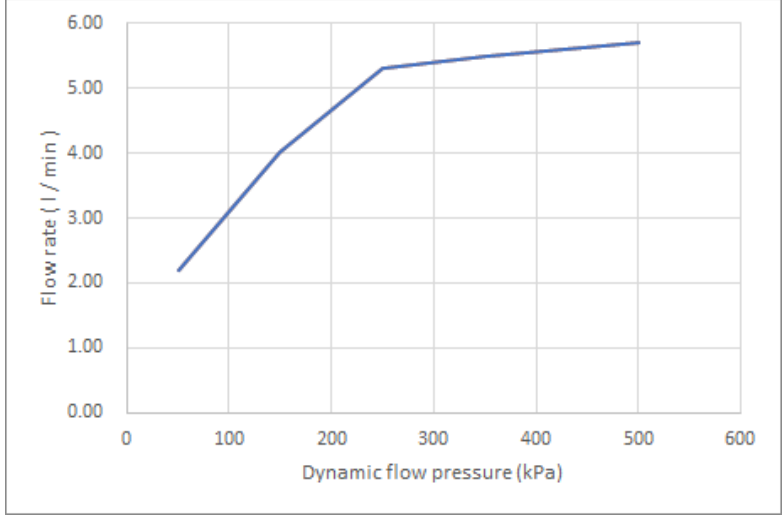
## SANITARY WARE SPECIFICATION SHEET

|                   |  |
|-------------------|--|
| Item Descriptions | GROHE (Germany) "Minta" Chrome plated single lever mixer with pull out mousseur spout; nominated flow rate <b>4.9 l/min</b> in WELS Grade 1; Registration No. TM 18-0085 |
| Dimensions        | L223 x W145 x H328 mm  |
| Model             | 32168000 + 64647040  |
| Finish            | Chrome Plated  |
| Manufacturer      | GROHE Limited  |
| Country of Origin | Portugal   |
| Supplier          | Acme Sanitary Ware Co. Ltd<br>Mr. Eric Wong/ Mr. Don Yuen  |
| Contact Tel/Fax   | (852) 2388-7171 / (852) 2710-8012  |
| E-mail            | acme@acmesanitary.com.hk   |
| Website           | www.acmesanitary.com.hk  |

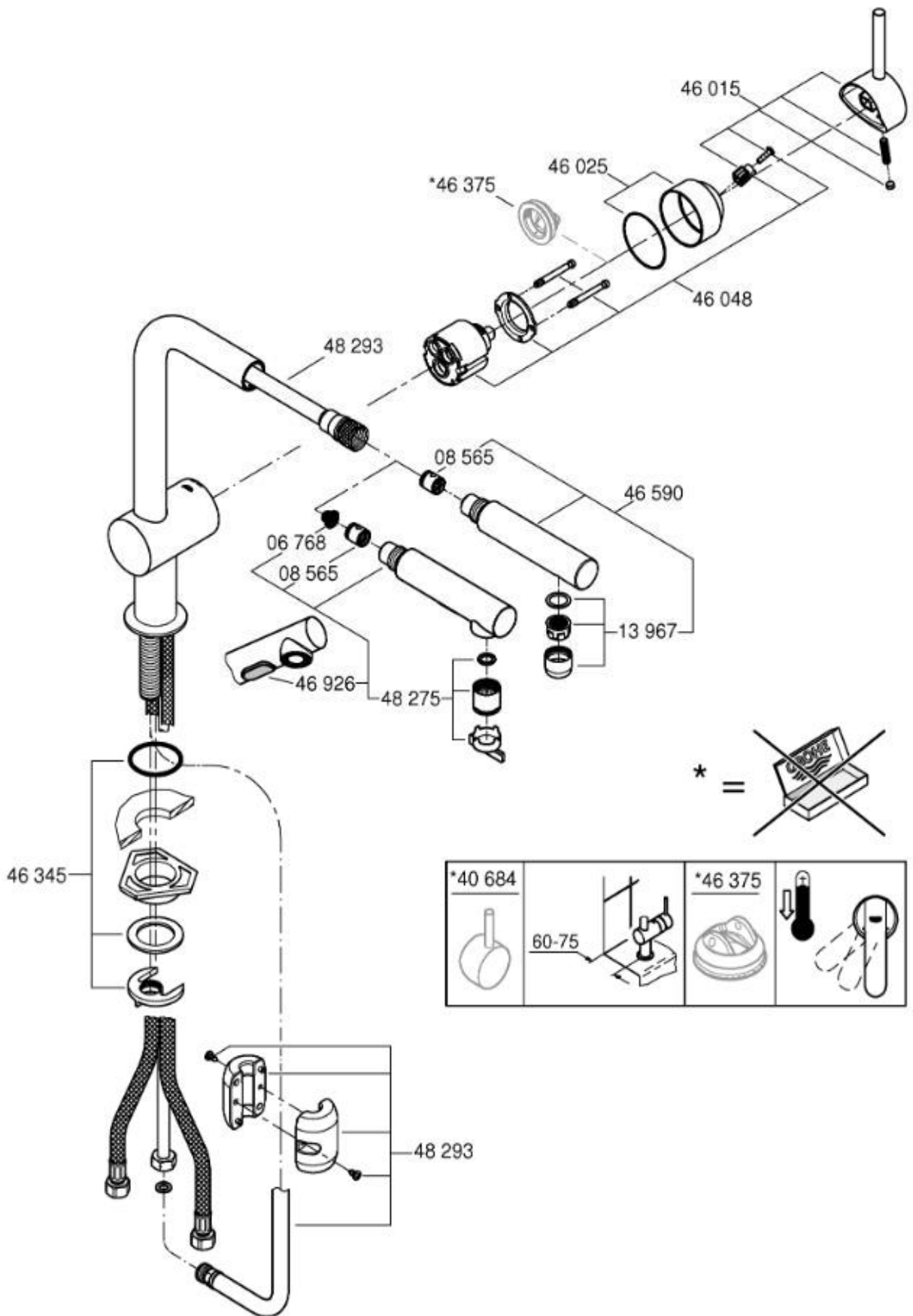


- Minta**  
**Single-lever sink mixer 1/2"**
- L-spout
  - single hole installation
  - GROHE StarLight finish
  - GROHE SilkMove 46 mm ceramic cartridge
  - pull out mousseur spout
- adjustable flow rate limiter
  - swivel tubular spout
  - swivel area 360°
  - integrated non-return valve
  - protected against backflow
  - flexible connection hoses
  - rapid installation system

|                             |      |      |      |      |      |
|-----------------------------|------|------|------|------|------|
| Dynamic flow pressure (kPa) | 50   | 150  | 250  | 350  | 500  |
| Flow rate (l / min)         | 2.20 | 4.03 | 5.30 | 5.50 | 5.70 |



\* All information of the above is for the reference only. No prior notice is made if any changes.



註冊號碼 (Registration No.): TM 18-0085




自願參與用水效益標籤計劃 - 水龍頭  
Voluntary Water Efficiency Labelling Scheme - Water Taps



茲證明  
This is to certify that

將下列水龍頭在本計劃內註冊：  
has registered the following water tap under this scheme :

- 牌子 / Brand : GROHE
- 型號 / Model : 32168XXX + 64647040
- 種類 / Type : Mixing
- 原產地 / Country or Region Origin : Portugal

|   |   |                                |
|---|---|--------------------------------|
| 在用水效益標籤上展示的標誌<br><i>Symbolic Presentation on the Water Efficiency Label</i> | :  | 滴水點<br><i>Water droplet(s)</i> |
| 用水效益級別<br><i>Water Efficiency Grade</i>                                     | : 1   |                                |
| 耗水量<br><i>Water Consumption</i>   | : 4.9   | 公升/分鐘<br><i>litres/minute</i>  |

簽發日期: 4 May 2018  
Date of Issue:

 水務署  
Water Supplies Department



水務署署長(周世威代行)  
for Director of Water Supplies



水務署  
Water Supplies Department

總部 Headquarters  
香港灣仔告士打道七號入境事務大樓 48 樓  
48/F Immigration Tower, 7 Gloucester Road, Wan Chai, Hong Kong

本署檔號  
Our ref.  
來函檔號  
Your ref.



2023 T/J(109/2023)

電話  
Tel. :  
傳真  
Fax. : 2824 0578

10 August 2023



**Approval of "GROHE" Sink Mixer  
(General Acceptance No. C20230590)**

Your letter ref. WRC/2839 dated 10 February 2023 and subsequent submissions received by this department up to 20 July 2023 refer.

Having considered the test reports ref. 222320PC220255D and 202535EN221835B issued on 12 July 2023 and 26 June 2023 respectively by Fugro Technical Services Ltd. and WRAS certificate, this Authority accepts that the fitting described below complies with, and its use when correctly installed does not contravene, the Waterworks Ordinance and Regulations.

**Name of Manufacturer:** Grohe AG

**Country of Origin:** Portugal

**Brand:** Grohe

**Details of Fitting:** 3/8" Single lever sink mixer with  
1. 1 no. of flexible hose ref. 202535EN221835B  
2. 1 no. of flexible hose approved by UK's WRAS ref. 2110370

**Model:** 32168XXX  
(where "XXX" denotes the code of colour)



**Body Markings:**



**Expiry Date:** 31 October 2026

This Authority hereby permits the use of the above fitting in fresh water plumbing systems subject to full adherence to Waterworks installation requirements. In particular, you are required to draw your customers' attention to the following requirement-

"The cold water supply to the fitting shall be drawn from the same source that supplies the hot water apparatus so as to provide a balanced pressure and to obviate the risk of scalding in the event of a restriction or failure in the water supply."

A condition of this acceptance is that the fitting to be installed shall be replicas of the sample as certified by the testing agent mentioned above and without modifications. This acceptance may be withdrawn at any time if the standard of the fitting installed fails to meet that of the approved sample or if the fitting is found to be unsuitable for use in fresh water plumbing systems.

This acceptance is only applicable to the main body of the fitting, unless otherwise specified.

For the use of the fitting in any project, the General Acceptance Number of this letter must be quoted as a means of identification of acceptance of the fitting by this Authority.

Should you have any enquiries, please contact our Engineer Ms Winnie LO at tel. no. 3583 4086.

Yours faithfully,

A handwritten signature in black ink, appearing to read "YAU Hau Yin", written over a horizontal line.

(YAU Hau Yin)

for Director of Water Supplies

Encl.

c.c. WSD 3321/1/82 ] - without catalogue  
ME/MC ] - with soft copy only